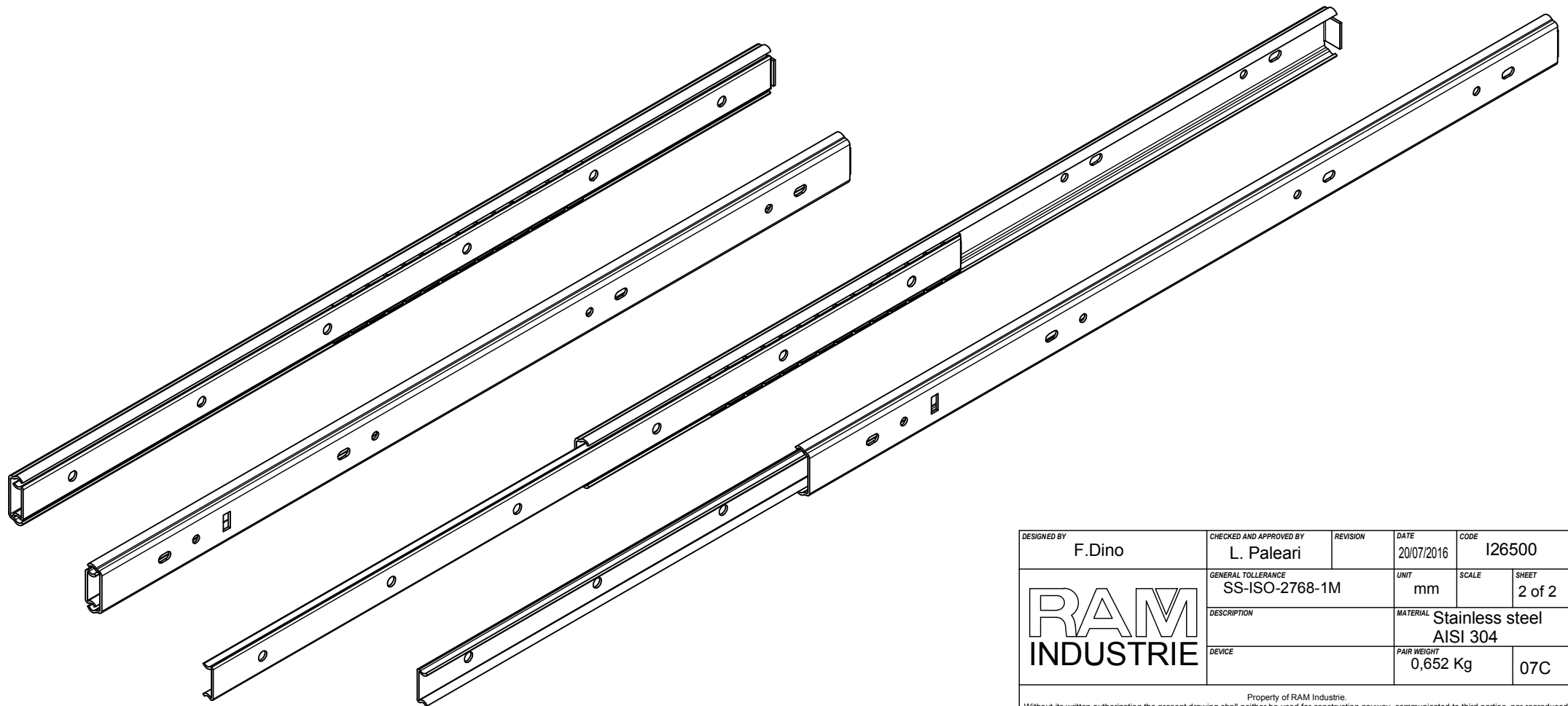
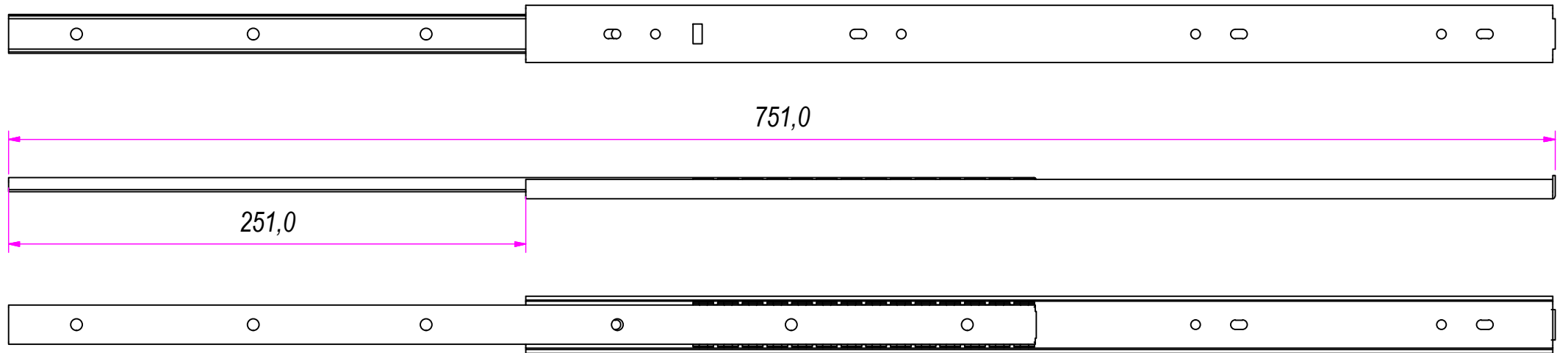


|                                      |                                       |          |   |                 |
|--------------------------------------|---------------------------------------|----------|---|-----------------|
| DESIGNED BY<br>F.Dino                | CHECKED AND APPROVED BY<br>L. Paleari | REVISION | DATE<br>20/07/2016                      | CODE<br>I26500  |
| GENERAL TOLLERANCE<br>SS-ISO-2768-1M |                                       |          | UNIT<br>mm                              | SCALE<br>1 of 2 |
| DESCRIPTION                          |                                       |          | MATERIAL<br>Stainless steel<br>AISI 304 |                 |
| DEVICE                               |                                       |          | PAIR WEIGHT<br>0,652 Kg                 | 07C             |

Property of RAM Industrie.  
Without its written authorization the present drawing shall neither be used for construction anyway, communicated to third parties, nor reproduced.



|  |                                       |            |   |                 |
|--|---------------------------------------|------------|---|-----------------|
| DESIGNED BY<br>F.Dino                  | CHECKED AND APPROVED BY<br>L. Paleari | REVISION   | DATE<br>20/07/2016                      | CODE<br>I26500  |
| GENERAL TOLERANCE<br>SS-ISO-2768-1M    |                                       | UNIT<br>mm | SCALE                                   | SHEET<br>2 of 2 |
| DESCRIPTION<br><b>RAM</b><br>INDUSTRIE |                                       |            | MATERIAL<br>Stainless steel<br>AISI 304 |                 |
| DEVICE                                 |                                       |            | PAIR WEIGHT<br>0,652 Kg                 | 07C             |

Property of RAM Industrie.  
Without its written authorization the present drawing shall neither be used for construction anyway, communicated to third parties, nor reproduced.