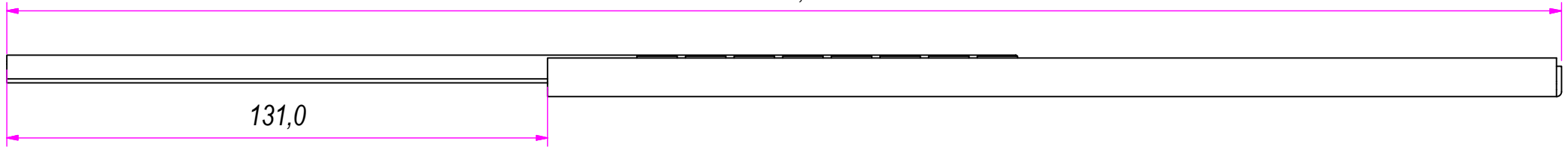


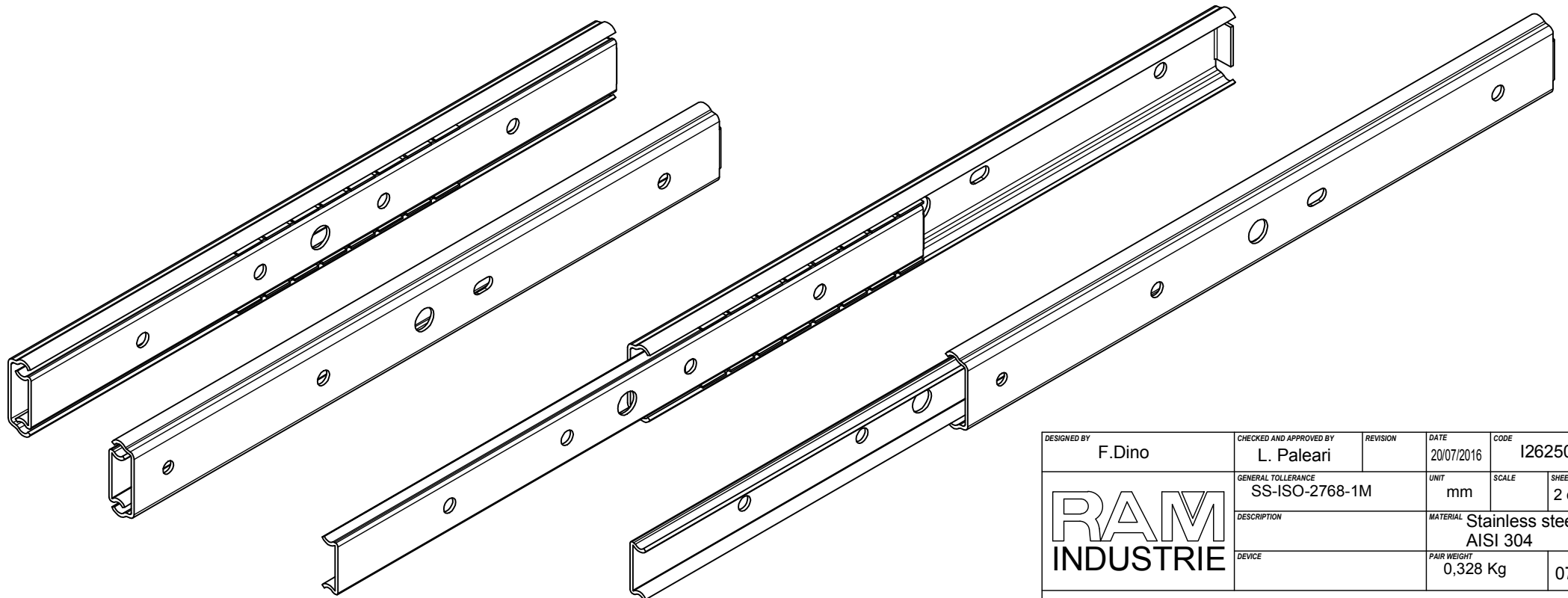
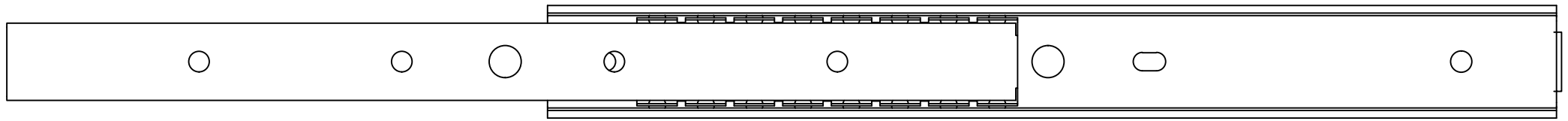
|   |                                       |                                      |   |                 |
|---|---------------------------------------|--------------------------------------|---|-----------------|
| DESIGNED BY<br>F.Dino   | CHECKED AND APPROVED BY<br>L. Paleari | REVISION                             | DATE<br>20/07/2016                      | CODE<br>I26250  |
|   |                                       | GENERAL TOLLERANCE<br>SS-ISO-2768-1M | UNIT<br>mm                              | SCALE<br>1 of 2 |
|   |                                       | DESCRIPTION                          | MATERIAL<br>Stainless steel<br>AISI 304 |                 |
| DEVICE  | PAIR WEIGHT<br>0,328 Kg               |                                      | 07C                                     |                 |
| <small>Property of RAM Industrie.<br/>Without its written authorization the present drawing shall neither be used for construction anyway, communicated to third parties, nor reproduced.</small> |                                       |                                      |   |                 |




381,0



131,0



|   |                                       |                                      |   |                          |
|---|---------------------------------------|--------------------------------------|---|--------------------------|
| DESIGNED BY<br>F.Dino   | CHECKED AND APPROVED BY<br>L. Paleari | REVISION                             | DATE<br>20/07/2016                      | CODE<br>I26250           |
|  |                                       | GENERAL TOLLERANCE<br>SS-ISO-2768-1M | UNIT<br>mm                              | SCALE<br>SHEET<br>2 of 2 |
|   |                                       | DESCRIPTION                          | MATERIAL<br>Stainless steel<br>AISI 304 |                          |
| DEVICE  | PAIR WEIGHT<br>0,328 Kg               |                                      | 07C                                     |                          |

Property of RAM Industrie.  
Without its written authorization the present drawing shall neither be used for construction anyway, communicated to third parties, nor reproduced.